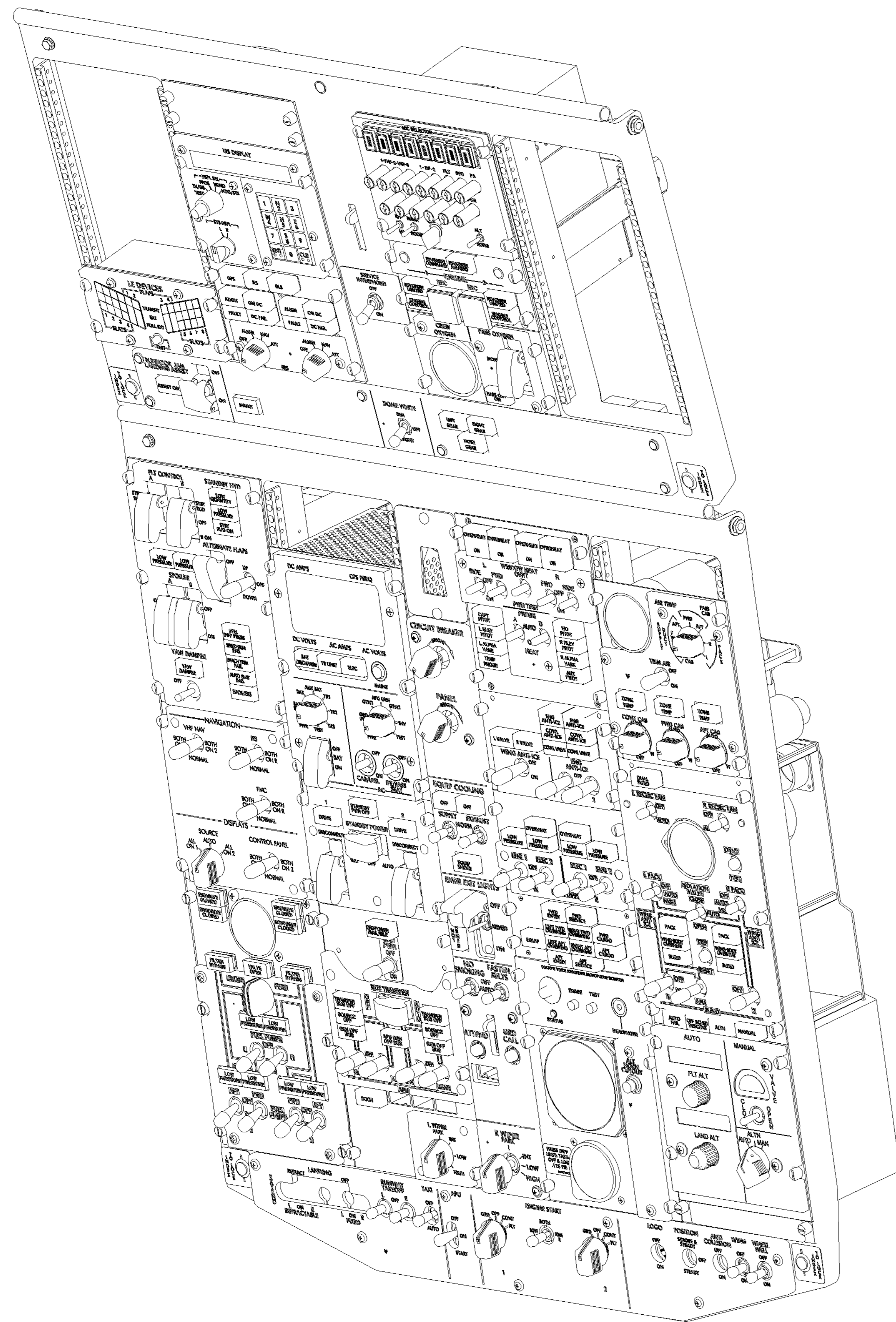


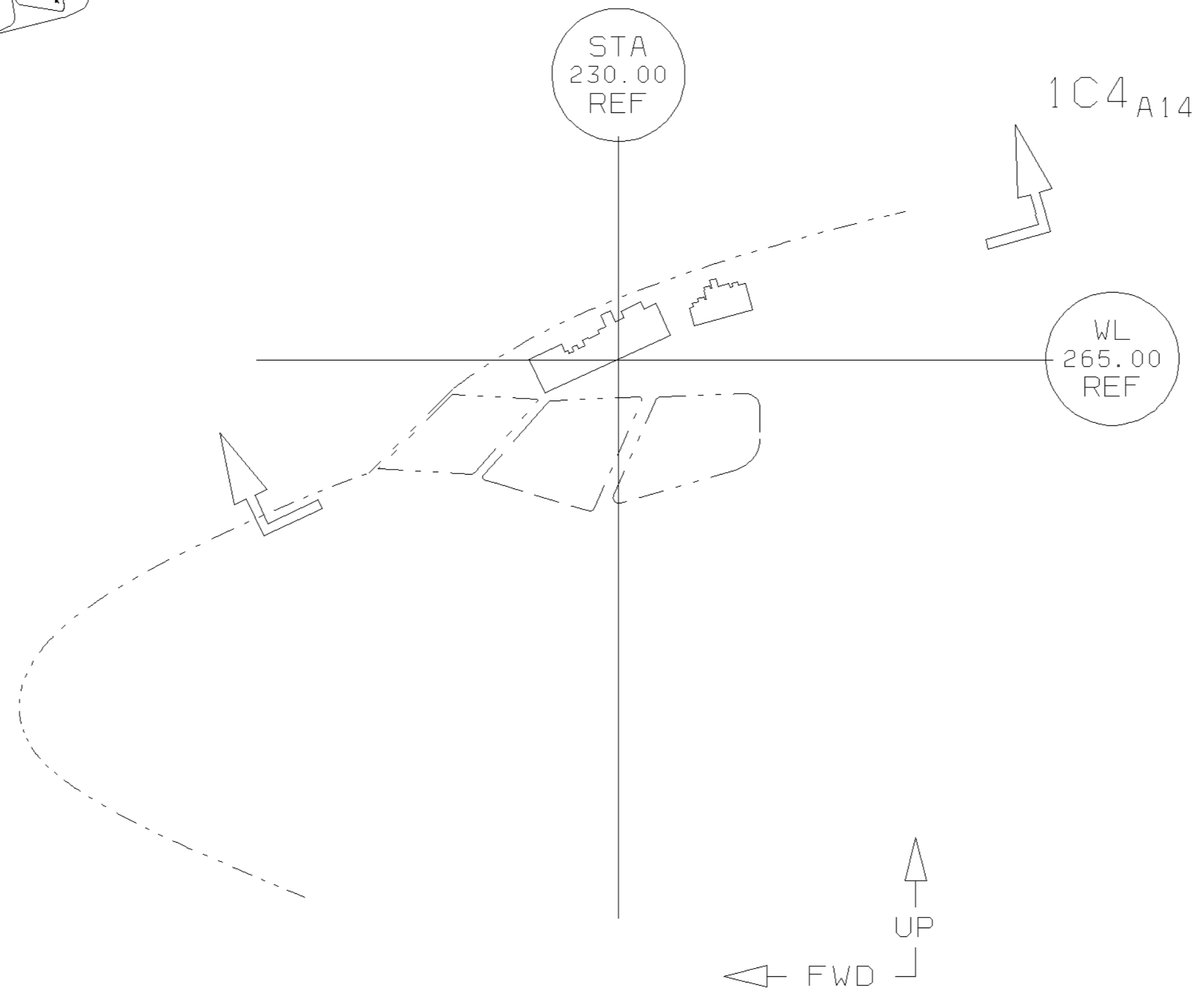
EXPORT CONTROL (EAR NLR)
 EXPORT CONTROLLED - THIS TECHNOLOGY OR SOFTWARE IS SUBJECT TO THE U.S. EXPORT ADMINISTRATION REGULATIONS (EAR), (15 C.F.R. PARTS 730-774). NO AUTHORIZATION FROM THE U.S. DEPARTMENT OF COMMERCE IS REQUIRED FOR EXPORT, RE-EXPORT, IN-COUNTRY TRANSFER, OR ACCESS EXCEPT TO COUNTRY GROUP E:1 OR E:2 COUNTRIES/PERSONS PER SUPP.1 TO PART 740 OF THE EAR.

BOEING PROPRIETARY
 THE INFORMATION CONTAINED HEREIN IS PROPRIETARY TO THE BOEING COMPANY AND SHALL NOT BE REPRODUCED OR DISCLOSED IN WHOLE OR IN PART OR USED FOR ANY PURPOSE EXCEPT WHEN SUCH USER POSSESSES DIRECT WRITTEN AUTHORIZATION FROM THE BOEING COMPANY.



BASELINE CONFIGURATION

3D VIEW
 ENGINEERING REF
 SCALE: NONE



INSTL - 1
 SCALE: NONE

NOTES:

THIS INSTALLATION IS IN SUPPORT OF DIGITAL PRE-ASSEMBLY REQUIREMENTS (DPA) INTENDED TO PROVIDE ARRANGEMENT INFORMATION ONLY REFER TO ENGINEERING PARTS LIST (233A3107) FOR COMPONENT CONFIGURATION INFORMATION

ALL NUMERIC REFERENCES IN (XXX) DEPICT THE ELECTRICAL EQUIPMENT INDEX (ELI) NUMBER

(XXX) LOCATOR NUMBER - SEE 233A3107 PARTS LIST FOR COMPONENT CONFIGURATION INFORMATION

ZONE	REV	DESCRIPTION	REVISION HISTORY	
			DATE	APPROVED
W	LCOEYV044187	NO CHANGES TO PICTURE SHEET - REVISED TO ADD DATASETS IN ENOVIA	RGGB2 DRAWN: W. DAL SANTO 425-2965-7915 09/28/2018 CHK: S. HANSEN 425-749-8655 09/28/2018 STRESS: NSRR J. LOOK 425-919-9310 09/28/2018 ENGR: S WHITE 425-749-8655 09/28/2018 GROUP: M. JENKINS 425-213-9967 09/28/2018 NBMT/NFLAM: J. LOOK 425-919-9310 09/28/2018 M.E.: J. COSTELLO 425-965-2156 09/28/2018	
	PRR3M0284-1	NO CHANGES TO PICTURE SHEET - REVISED TO ADD DATASETS IN ENOVIA.	RGGB2 DRAWN: C. BOWMAN 4/19/22 CHK: G. SHILMAN 4/19/22 STRESS: G. SHILMAN 4/19/22 ENGR: G. SHILMAN 4/19/22 GROUP: G. SHILMAN 4/19/22 NBMT/NFLAM: G. SHILMAN 4/19/22 M.E.: D. VOGEL 4/19/22	
AA	PRR95000-3355	NO CHANGE TO DRAWING EXCEPT FONT CHANGED TO SSS1. DRAWING TITLE WAS ARRANGEMENT INSTL - P5 OVERHEAD. DATASETS ATTACHED TO DRAWING IN PDM WERE CHANGED TO 233A3107-33000#B AND CA233A3107-33000#B. NSRR CRITERIA: ADMINISTRATION CHANGES - DATASET MANAGEMENT TYPE CHANGE. NBMT CRITERIA: ITEM D10. NFLAM: ITEM A18. REASON: MODULE LEVEL DATASETS ATTACHED TO THIS DRAWING IN PDM WERE NOT UPDATED. THIS CHANGE UPDATES THE DATASETS IN PDM AND ENOVIA SO IVT SHOWS CORRECT LIGHTPLATE CONFIGURATION. PROD INFO: AIRPLANES/PARTS SATISFACTORY. MFG INFO: D. VOGEL, 425-237-0341, 233A, 2023/01/05	FLT DECK, RGFCB DRAWN: P. OLSON 425-266-6898 2023/01/03 CHK: T. KOLBO 425-237-7725 2023/01/04 STRESS: NSRR: G. SHILMAN 253-604-8145 2023/01/05 ENGR: J. BUSSJAGER 878-756-5342 2023/01/05 BMT: NBMT: G. SHILMAN 253-604-8145 2023/01/05 M.E.: D. VOGEL 425-237-0341 2023/01/05 PRCJ: M. WEYMOUTH 2023/01/05	

THE FOLLOWING CATIA V5 3D DATASETS ARE ASSOCIATED WITH THIS DRAWING AND ARE APPROVED FOR MANUFACTURING AND INSPECTION USE:
 SEE PL FOR DATASETS.

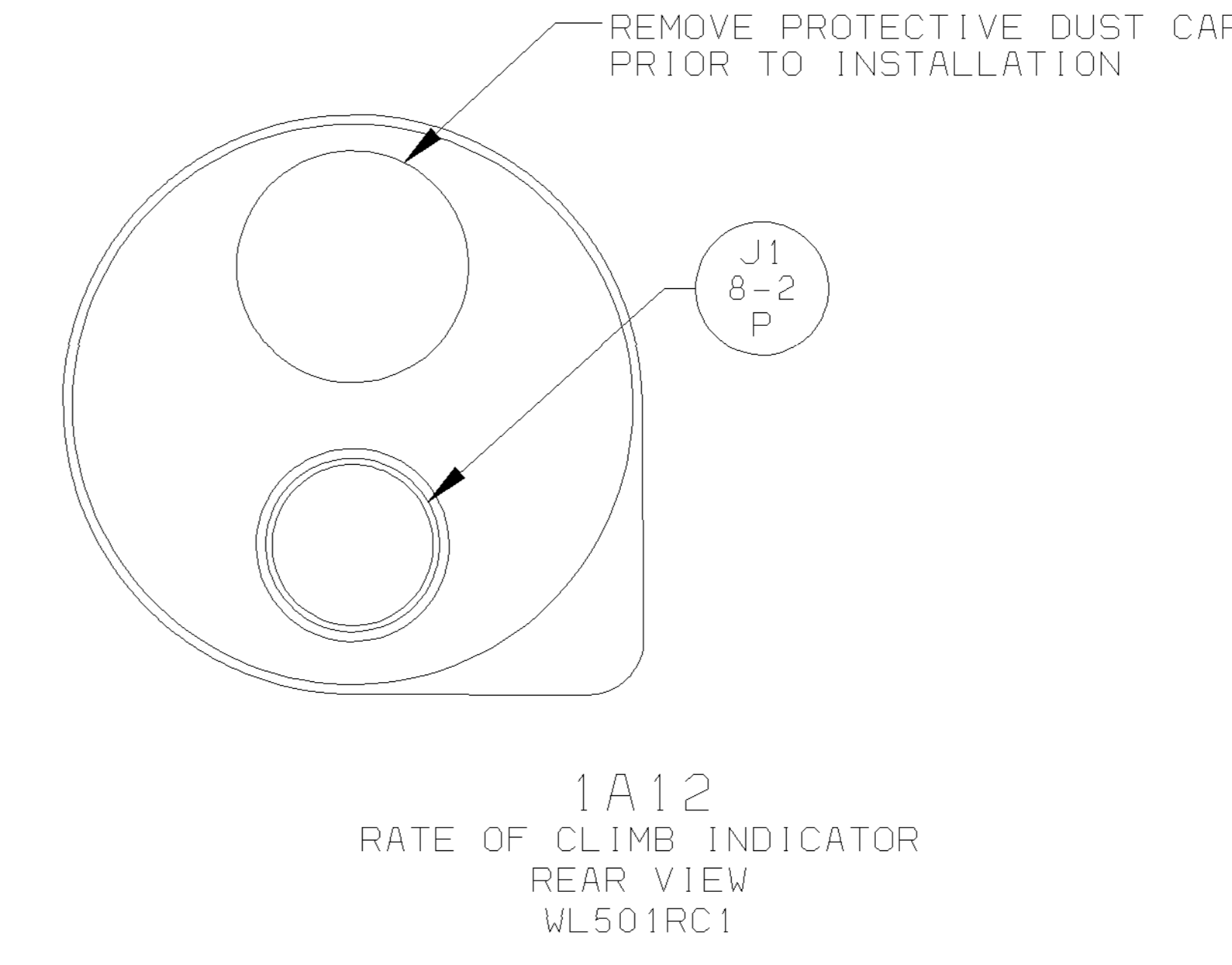
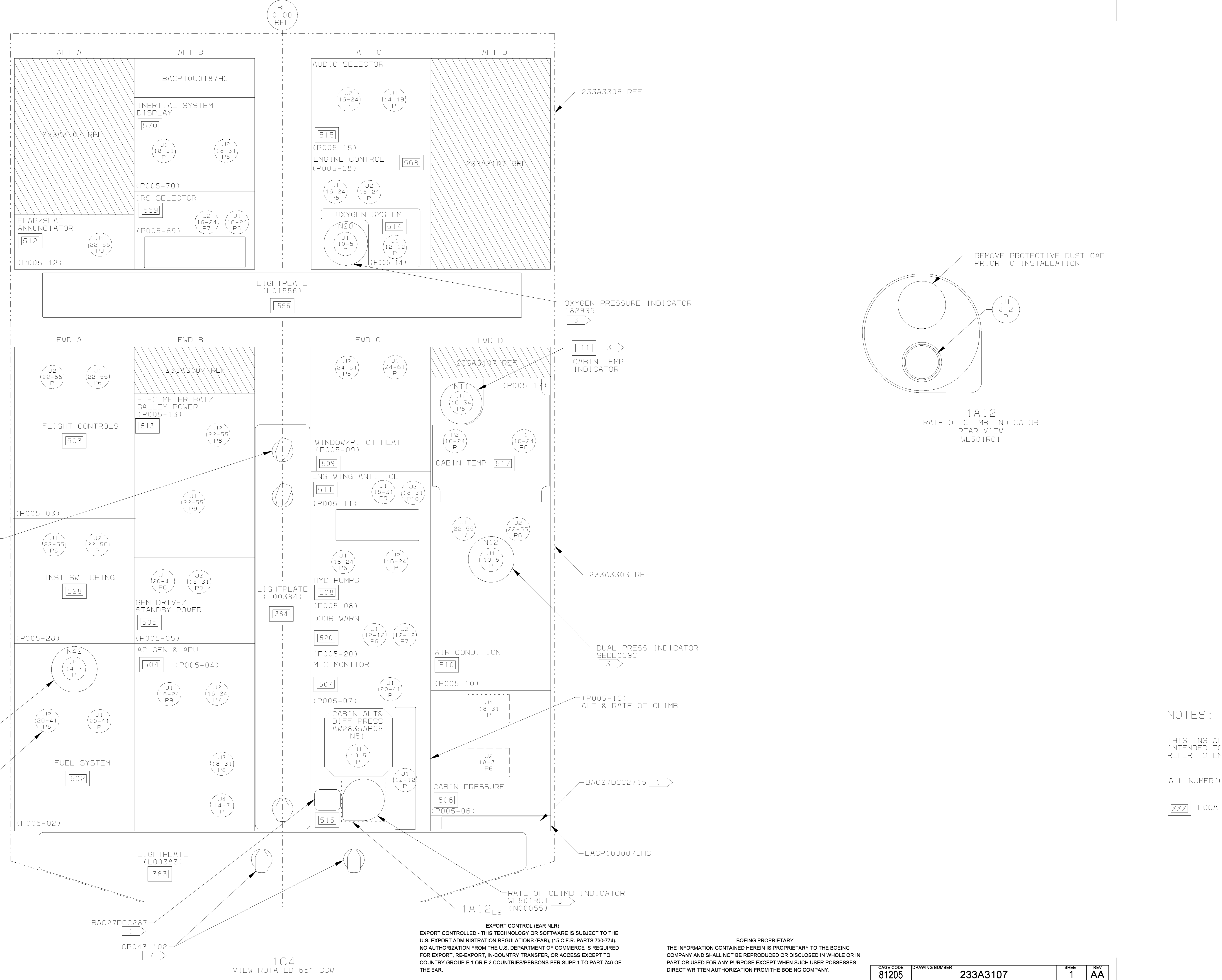
Repository ngp1_ENOVIA_SOUTH
 Status Approved
 Status Date 2023-1-9
 Drawing Number 233A3107S01-AA

ECCN 9E991

UNLESS OTHERWISE SPECIFIED, DIMENSIONS ARE IN INCHES. PREPARED IN ACCORDANCE WITH ASME Y14.100-2004 DIMENSIONING AND TOLERANCING PER ASME Y14.5M-1994	DRAWN 425-985-3241 DATE 03/18/2015 GROUP B. BOEKELMAN 03/18/2015 FLT DECK/R-GGB2	SEE PL FOR LIST OF MATERIAL, USAGE AND NOTES
THIRD ANGLE PROJECTION-USA	CHK 425-985-2126 DATE 03/18/2015 SECTION 41	COMMERCIAL AIRPLANES PO BOX 3707 SEATTLE WA 98124
TOLERANCES: ANGLES = = DECIMALS X = . XX = . XXX = . XXXX = .	STRESS 425-985-2196 DATE 03/18/2015 USED ON	DRAWING TITLE
	M. CHOR 03/18/2015 737	MODULE INSTL - P5 OVERHEAD
	ENGR 425-985-3241 DATE 03/18/2015 CHG NO	SIZE
	B. BOEKELMAN 03/18/2015 PIN2333-1000	J 81205
	BMT 206-331-1054 DATE 03/18/2015	CAGE CODE
	M. WOODS 03/18/2015	233A-1000
	FLAM 425-387-8891 DATE 03/18/2015	DRAWING NUMBER
	M. UBILLA 03/18/2015	233A3107
	M.E. 425-985-2185 DATE 03/18/2015	REV
	J. GRACE 03/18/2015	AA
	PROJ 425-237-2095 DATE 03/18/2015	SCALE
	J. FRANKE 03/18/2015	NONE
		PIN
		2333-1000
		SHEET
		1

Boeing Proprietary Document Category: Boeing Engineering ASSEMBLY
 Commercial Data Export Jurisdiction: EAR ECCN: 9E991
 US Export Control Values ITRM/USML or EAR/ECCN supersede conflicting export markings.
 Document Number: 233A3107 Type: DWG ID: 0001 REV: AA
 Frame: 1 of 2 Name: Zhonghui Huang User is responsible to ensure document is the latest revision.
 Not Valid After: 04 01 2023

I
 G
 F
 E
 D
 C
 B
 A



NOTES:

THIS INSTAL INTENDED TO REFER TO EN

ALL NUMERIC

XXX LOCAL

EXPORT CONTROL (EAR NLR)
 EXPORT CONTROLLED - THIS TECHNOLOGY OR SOFTWARE IS SUBJECT TO THE U.S. EXPORT ADMINISTRATION REGULATIONS (EAR), 15 C.F.R. PARTS 730-774. NO AUTHORIZATION FROM THE U.S. DEPARTMENT OF COMMERCE IS REQUIRED FOR EXPORT, RE-EXPORT, IN-COUNTRY TRANSFER, OR ACCESS EXCEPT TO COUNTRY GROUP E:1 OR E:2 COUNTRIES/PERSONS PER SUPP.1 TO PART 740 OF THE EAR.

BOEING PROPRIETARY
 THE INFORMATION CONTAINED HEREIN IS PROPRIETARY TO THE BOEING COMPANY AND SHALL NOT BE REPRODUCED OR DISCLOSED IN WHOLE OR IN PART OR USED FOR ANY PURPOSE EXCEPT WHEN SUCH USER POSSESSES DIRECT WRITTEN AUTHORIZATION FROM THE BOEING COMPANY.

Boeing Proprietary Document Category: Boeing Engineering ASSEMBLY
 Commercial Data Export Jurisdiction: EAR ECCC: 9E91
 US Export control values EAR/USM or EAR/ECM supersede conflicting export markings.
 Document Number: 233A3107 Type: DMC ID: 0001 Rev: 004
 Frame: 2 of 2 Name: zhonghui Huang User: is responsible to ensure document in the latest revision.
 Not Valid After: 04/01/2025