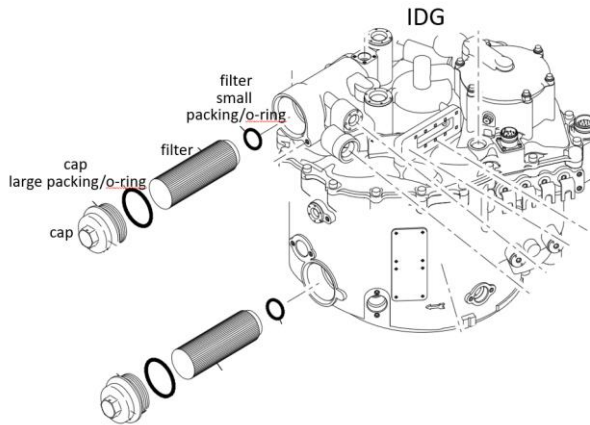


Attachment for 737MAX-24-22004 (page 1 of 2)

Filters (Reference only)

	IDG Filter Part #	AIPC 24-11-41		AIPC Front Matter: Boeing Kit#
		MAX Improved IDG 1725616*	NG or MAX IDG 761574B	
non-SEC Filter	7588429-101		√	65-90305-85 2 non-SEC Filters 2 packing/o-rings
	AC9780F15Y1		√	
	AC-9780F-15Y1		√	
	7593933		√	
	HS5906067		√	
	AC9780F15Y11		√	
	AC-9780F-15Y11		√	
Service Extender Concentrate (SEC) Filter	5910422	√**	√	65-90305-94 2 SEC Filters 2 packing/o-rings
	HS5910422		√	
	AC9780F15Y111		√	
<p>* 6250, 7644, 7705, 7812 through 8591, 8593 and on BBJ: 8401 and on</p> <p>** For MAX Improved IDG 1725616, the filter must be marked with 5910422 (though other additional part numbers may also be marked)</p>				

Attachment for 737MAX-24-22004 (page 2 of 2) O-rings (Reference only)



IDG 761574B:

Cap large packing/o-ring: M83248-1-226, M83485-1-226, AS3209-226

Filter small packing/o-ring: M83248-1-214, M83485-1-214, AS3209-214

- Reference AIPC 24-11 + AIPC Front Matter/Filter Maintenance Kit 65-90305-85
- Reference CMM (24-11-85) -> Figure 2 (Sheet 2 of 3)
 - Cap large packing/o-ring (Item 280, 280A, 280B)
 - Filter small packing/o-ring (Item 292, 292A, 292B)

IDG 1725616:

Cap large packing/o-ring: M83485-1-226

Filter small packing/o-ring: M83248-1-214, M83485-1-214, AS3209-214

- Reference AIPC 24-11 + AIPC Front Matter/Filter Maintenance Kit 65-90305-94
- Reference CMM (24-11-85) -> Figure 2A (Sheet 2 of 3)
 - Cap large packing/o-ring (Item 250)
 - Filter small packing/o-ring (Item 262, 262A, 262B)

** Use of HTS packing/o-rings (M83485) provide improved reliability over non-HTS when used with HTS oil