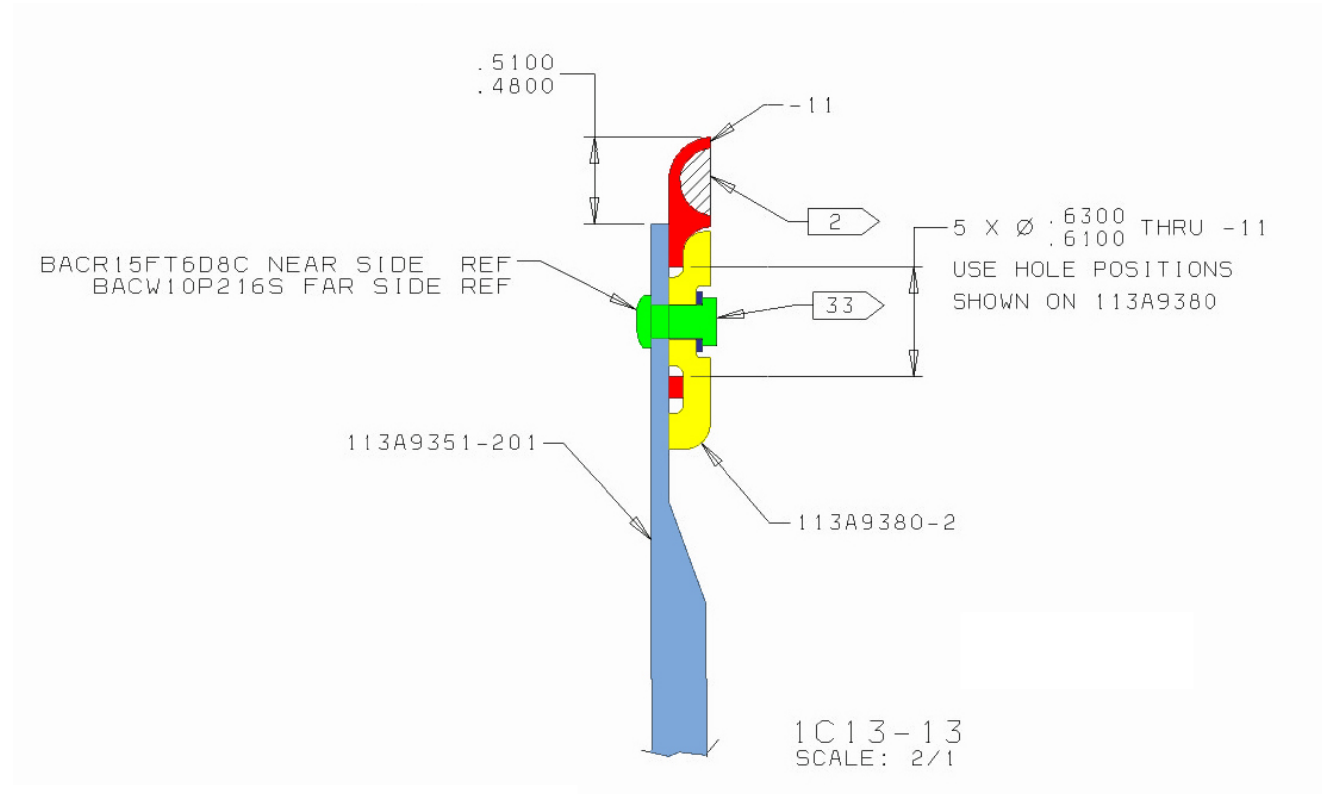
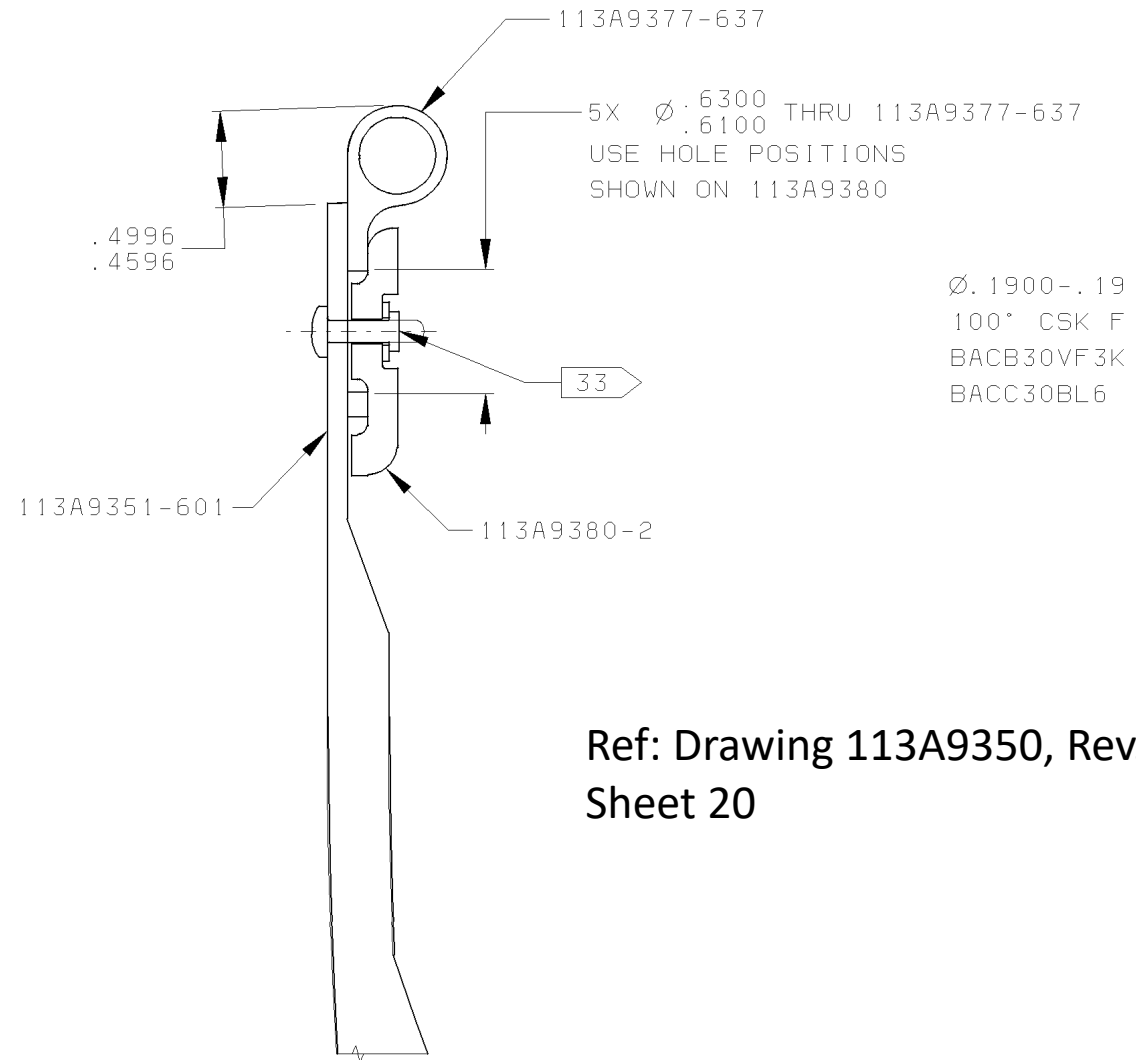


NG original design
L/N 1-4952



NG later Design
L/N 4953+



Ref: Drawing 113A9350, Rev. A
Sheet 20

1C13-19
SCALE: 2/1

737 MAX design