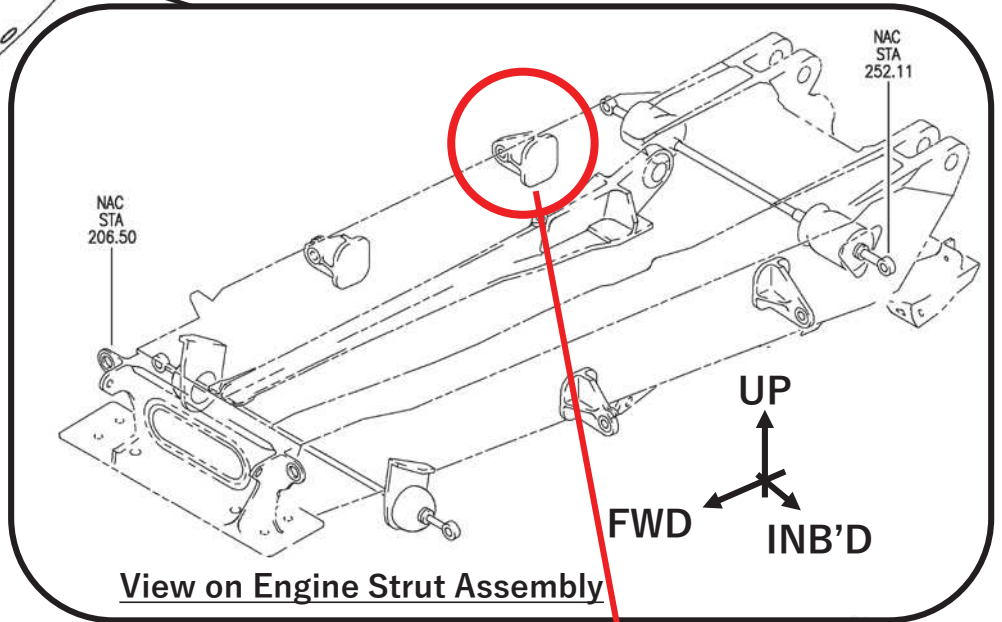
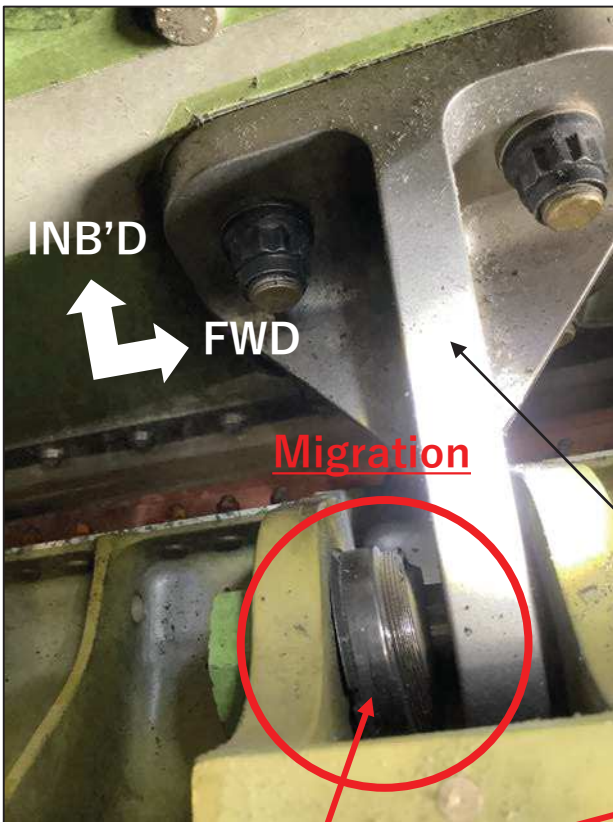


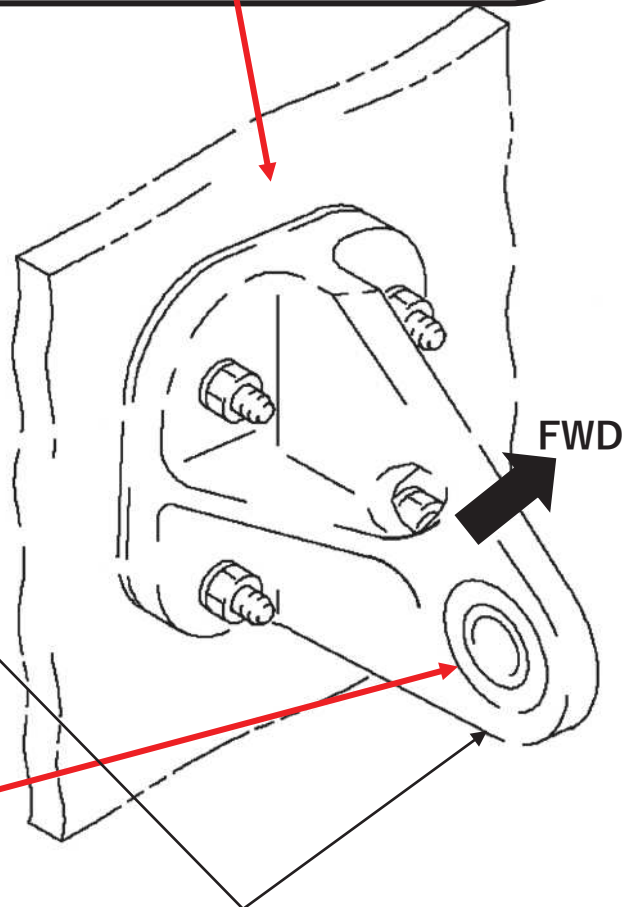
View No.2 ENG



View on Engine Strut Assembly



Bearing P/N: S302T001-225
(IPC 78-31-11-01-290)



Thrust Reverser No.3 Hinge Fitting Assy
P/N: 311A255312 or -14
(IPC 78-31-11-01-250 or 285)